

ATMG-T Series Thermostatic Controlled Griddle

Standard Features

- Durable stainless steel structure, corrosion-resistant and easy to clean
- Independent manual controls to save the energy
- Simple and reasonable structure, easy to manipulate and maintain.
- Adjustable stainless steel legs
- Highly efficient stainless steel burner, standby pilot
- 3/4” thick stainless steel griddle plate, for quick and even heating
- 3/4” NPT Gas inlet manifold

ATMG-24T



ATMG-36T



ATMG-48T



SPECIFICATIONS

Model	Gas Type Pressure	Intake tube B.T.U./h	Per BTU B.T.U./h	Total BTU	Valve Type	Weight (LBS)	Working Area	Packaging Dimension
ATMG-24T	NG	4	25,000	50,000	Pilot Light	160.9	23.9X19.9	26.8X31.1X18.2
	LP	10	25,000	50,000				
ATMG-36T	NG	4	25,000	75,000	Pilot Light	229	35.7X19.9	38.6X31.1X18.2
	LP	10	25,000	75,000				
ATMG-48T	NG	4	25,000	100,000	Pilot Light	294.5	47.9X19.9	51.6X32.7X17.6
	LP	10	25,000	100,000				



1 YR WARRANTY ON ALL PARTS AND LABOR (US ONLY)

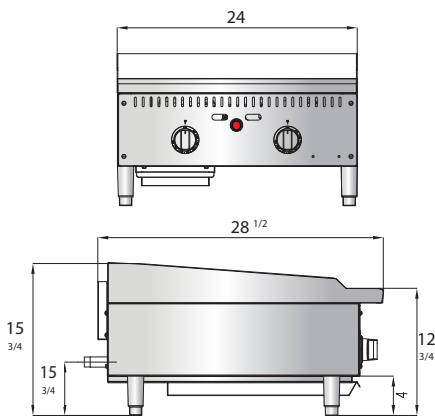


Conforms to ANSI
 STD Z83.11b-2009 (2011)
 Certified to CSA
 STD 1.8B-2009 (2011)
 Conforms to NSF/ANSI STD 4

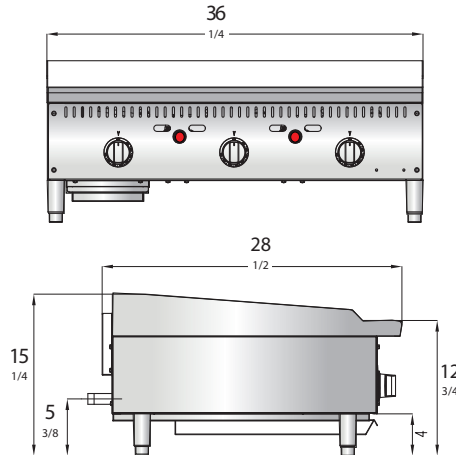


PLAN VIEW

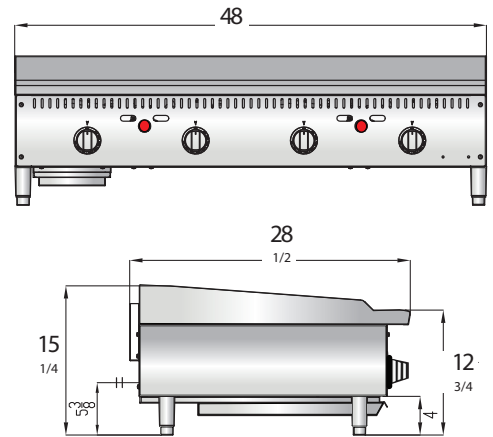
ATMG-24T



ATMG-36T



ATMG-48T



Terms and Conditions

1 YEAR WARRANTY

All claims for parts or labor must be made directly to Atosa. All claims must include: model number of the unit, serial number, proof of purchase, date of installation, and all pertinent information supporting the alleged defect. Failure to comply with warranty policies will result in voiding claims.

Atosa warrants all new gas components to be free from defects in materials or workmanship. Atosa's obligation under this warranty is limited to a period of 1 year from the original installation. All parts covered under this warranty that are defective within 1 year of the original installation are limited to repair or replacement (Including labor charges, of defective parts or assemblies) The labor warranty shall include standard straight time labor charges only and reasonable travel time, as determined by Atosa.

NO CONSEQUENTIAL DAMAGES: ATOSA IS NOT RESPONSIBLE FOR ECONOMIC LOSS; PROFIT LOSS; OR SPECIAL, INDIRECT, OR CONSEQUENTIAL DAMAGES, INCLUDING WITHOUT LIMITATION, LOSSES, OR DAMAGES ARISING FROM FOOD OR PRODUCT SPOILAGE, REGARDLESS OF WHETHER OR NOT THEY RESULT FROM REFRIGERATION FAILURE.

WARRANTY IS NOT TRANSFERABLE: This warranty is not assignable and applies only in favor of the original purchaser/user to whom delivered.

ANY SUCH ASSIGNMENT OR TRANSFER SHALL VOID THE WARRANTIES HEREIN AND SHALL VOID ALL WARRANTIES, EXPRESS OR IMPLIED, INCLUDING ANY WARRANTY OF MERCHANTABILITY OR LABOR COVERAGE FOR COMPONENT FAILURE OR OTHER THE WARRANTY PACKET PROVIDED WITH THE UNIT.

ALTERATION NEGLECT ABUSE MISUSE ACCIDENT DAMAGE DURING TRANSIT OR INSTALLATION FIRE FLOOD OR ACTS OF GOD: Atosa is not responsible for the repair or replacement of any parts that are determined to have been subjected after the date of manufacture to alteration, neglect, abuse, misuse, accident, damage during transit or installation, fire, flood, or acts of God.

WHAT IS WARRANTED AND FOR HOW LONG:

The Product's cast-iron grates, stainless steel radiants, and briquettes are warranted not to fail as a result of defects in materials or workmanship in normal use for a period of one year from the date of purchase. Atosa agrees to repair or replace, at its option, the above warranted parts or items that fails due to defects in materials or workmanship during the warranted period. To obtain warranty service, the Purchaser must contact Atosa toll free (855) 855-0399.

THE ONE YEAR PARTS & LABOR WARRANTY ARE AS DESCRIBED ABOVE. THESE WARRANTIES ARE EXCLUSIVE AND IN LIEU OF ALL OTHER WARRANTIES, INCLUDING IMPLIED WARRANTY AND MERCHANTABILITY OR FITNESS FOR A PARTICULAR PURPOSE. THERE ARE NO WARRANTIES WHICH EXTEND BEYOND THE DESCRIPTION ON THE FACE HEREOF.

Outside U.S. and Canada: This warranty does not apply to areas outside the continent of the United States. Alaska, Hawaii and all US territories are excluded from this warranty. Atosa is not responsible for any warranty claims made on products sold or used in such areas.

In some cases, a 25 % restocking fee may be charged to a buyer for returned items.